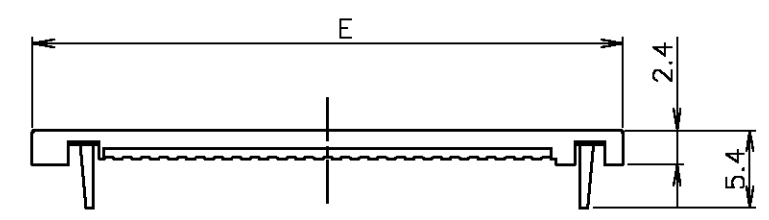
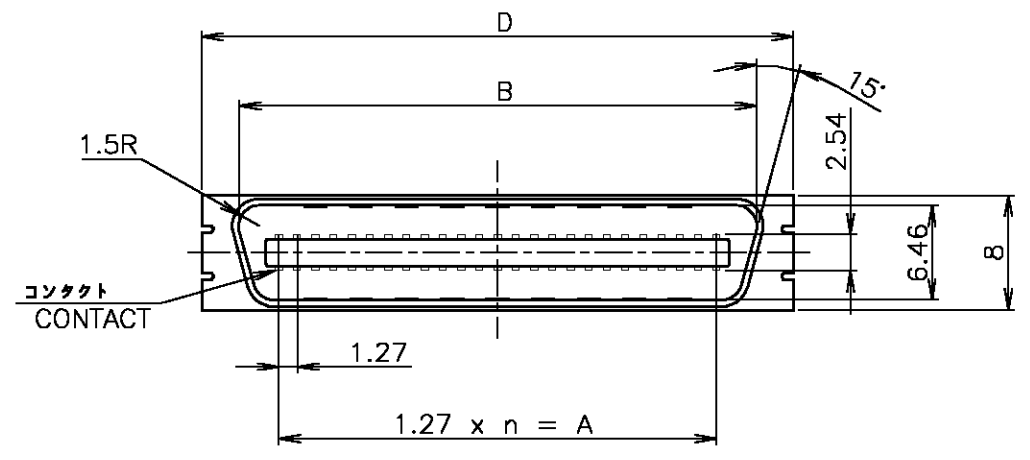
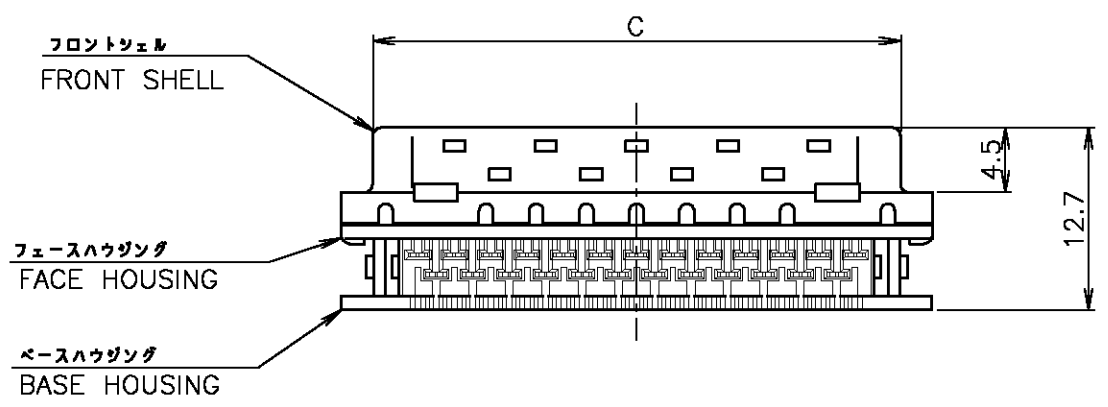
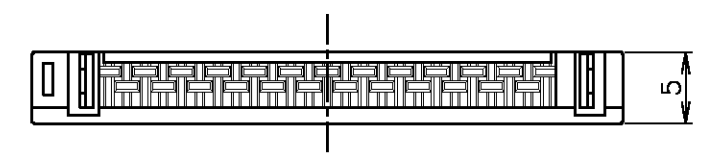


THIS DRAWING IS UNPUBLISHED. RELEASED FOR PUBLICATION
 © COPYRIGHT BY TYCO ELECTRONICS CORPORATION. ALL RIGHTS RESERVED.

LOC	DIST	REVISIONS					
J		P	LTR	DESCRIPTION	DATE	DWN	APVD
			L	REVISED (FJBO-0286-03)	12MAY03	T.K	Y.Y



カバーハウジング
COVER HOUSING
(2EA/KIT)



49.53	54.69	55.7	60.3	60.2	0.76 μ	39	80	3-175677-0
62.23	67.45	68.4	73.0	72.9	0.76 μ	49	100	2-175677-9
41.91	47.13	48.0	52.7	52.6	0.76 μ	33	68	2-175677-8
30.48	35.70	36.6	41.3	41.2	0.76 μ	24	50	2-175677-7
21.59	26.81	27.7	32.4	32.3	0.76 μ	17	36	2-175677-5
15.24	20.46	21.4	26.0	25.9	0.76 μ	12	26	2-175677-4
11.43	16.65	17.6	22.2	22.1	0.76 μ	9	20	2-175677-2
7.62	12.84	13.7	18.4	18.3	0.76 μ	6	14	2-175677-1
49.53	54.69	55.7	60.3	60.2	0.3 μ	39	80	1-175677-0
62.23	67.45	68.4	73.0	72.9	0.3 μ	49	100	175677-9
41.91	47.13	48.0	52.7	52.6	0.3 μ	33	68	175677-8
30.48	35.70	36.6	41.3	41.2	0.3 μ	24	50	175677-7
21.59	26.81	27.7	32.4	32.3	0.3 μ	17	36	175677-5
15.24	20.46	21.4	26.0	25.9	0.3 μ	12	26	175677-4
11.43	16.65	17.6	22.2	22.1	0.3 μ	9	20	175677-2
7.62	12.84	13.7	18.4	18.3	0.3 μ	6	14	175677-1
A	B	C	D	E	Au.PLATING	n	POS	PART No.

- 注記
- 材料及び表面仕上げ。
 *CONTACT: リン青銅, Ni 下地メッキに接触部
 Au メッキ0.3 μm, 0.76 μm 以上, 圧覆部すずめっき
 *フロントシェル: 鋼, Niメッキ
 *ハウジング(ベース, フェース, カバー)
 熱可塑性樹脂 ガラス入り, UL 94V-0, 色; 黒
 ガラス入り, UL 94V-0, 色; 黒。
 - 使用電線は タイコエレクトロニクスアンプ(株) 技術部門へ御確認をお願いします。

- NOTE
- MATERIAL & FINISH
 *CONTACT; COPPER ALLOY Au PL.0.3 AND 0.76 MIN. AT CONTACT AREA AND TIN PL. AT I.D. AREA OVER Ni PL.
 *FRONT SHELL; STEEL, Ni PL.
 *HOUSING(BASE,FACE,COVER);
 THERMO-PLASTIC,GF,UL 94V-0. BLACK
 - APPLICABLE WIRE; PLEASE CONFIRM TO TYCO ENGINEERING.

TOLERANCES UNLESS OTHERWISE SPECIFIED
— 公差

10 ≧	±0.2
30 ≧ > 10	±0.25
100 ≧ > 30	±0.3
ANGLES	±3°

WIRE RANGE	INSULATION DIA
7/0.127mm(AWG#28)	0.5~0.7 mmφ

THIS DRAWING IS A CONTROLLED DOCUMENT.

DIMENSIONS: MM	TOLERANCES UNLESS OTHERWISE SPECIFIED:
	0 PLC ±
	1 PLC ±
	2 PLC ±
	3 PLC ±
	4 PLC ±
	ANGLES ±
MATERIAL	FINISH
SEE NOTES	SEE NOTES

THIS DRAWING IS A CONTROLLED DOCUMENT.

DWN	29JUN89	tyco Electronics	Tyco Electronics AMP K.K.		
CHK	07SEP89		Kawasaki, Japan		
APVD	11SEP89		NAME		
PRODUCT SPEC			CHAMP .050 PLUG CONN. KIT		
APPLICATION SPEC		SIZE	CAGE CODE	DRAWING NO	RESTRICTED TO
WEIGHT		A3	00779	175677	—
CUSTOMER DRAWING		SCALE	SHEET	REV	
		2:1	1 OF 1	L	